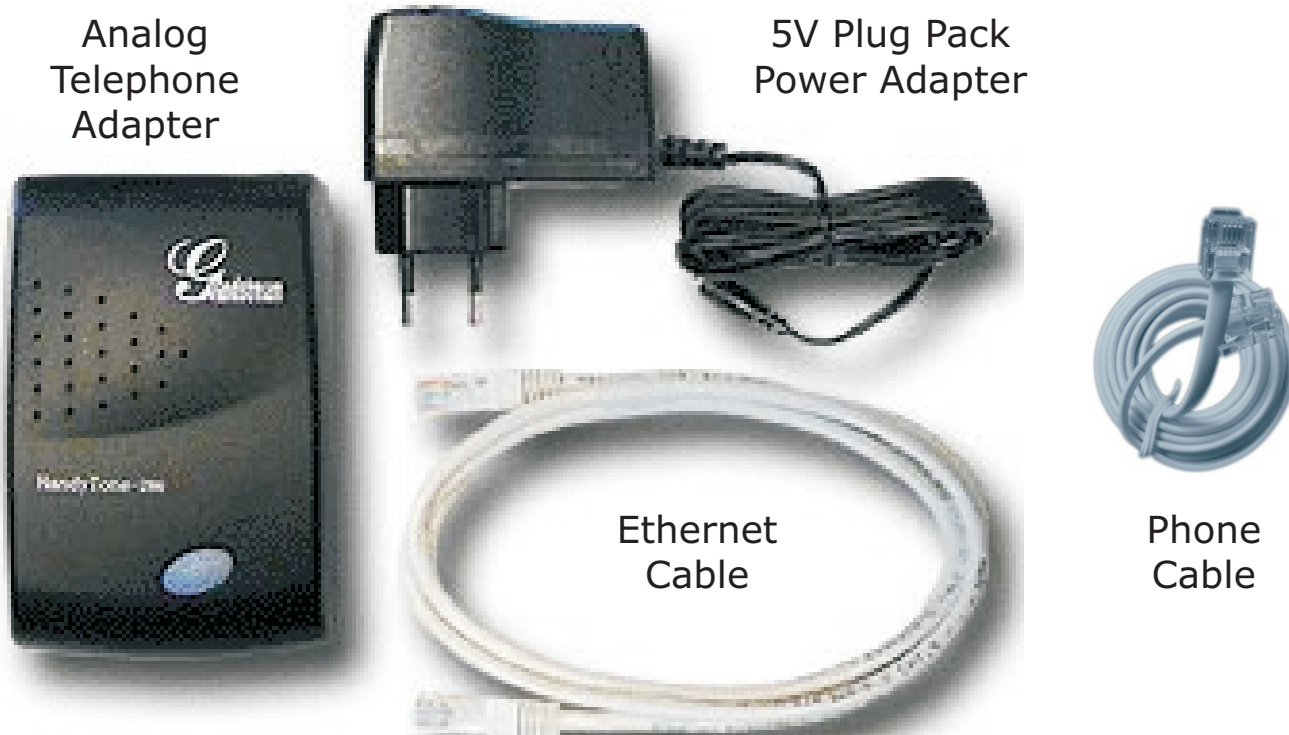
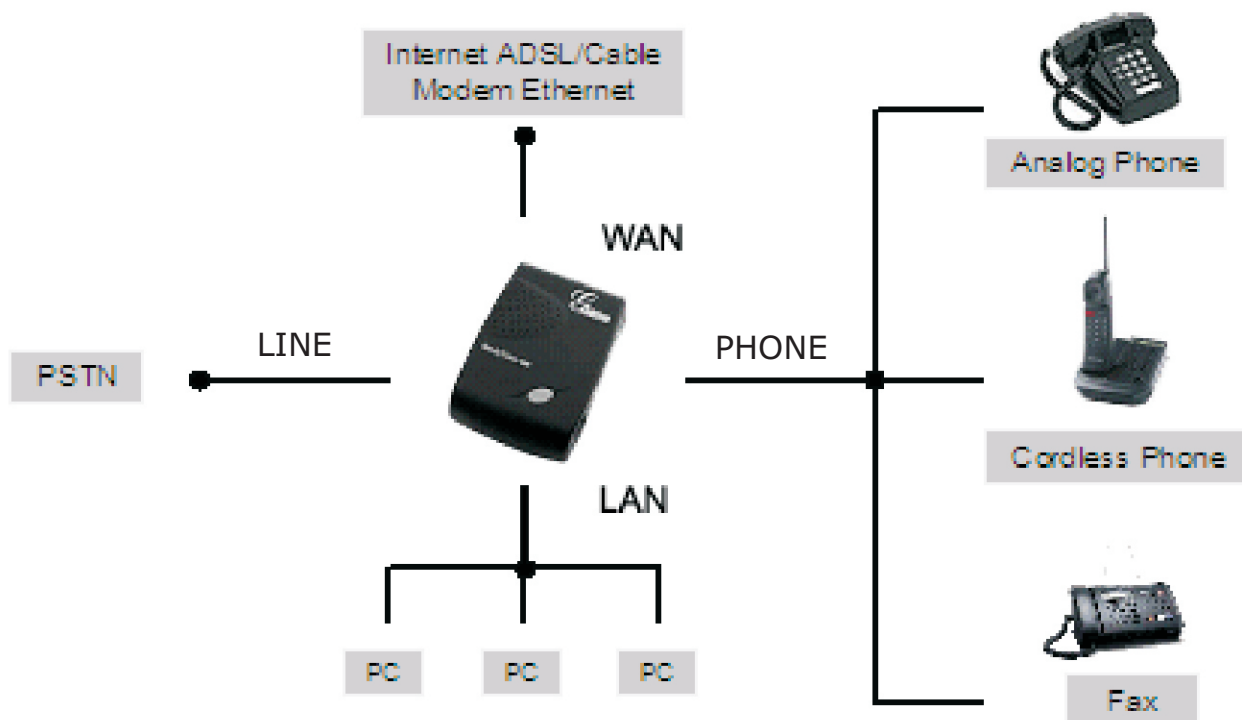


# Grandstream HT488 Analog Telephone Adapter

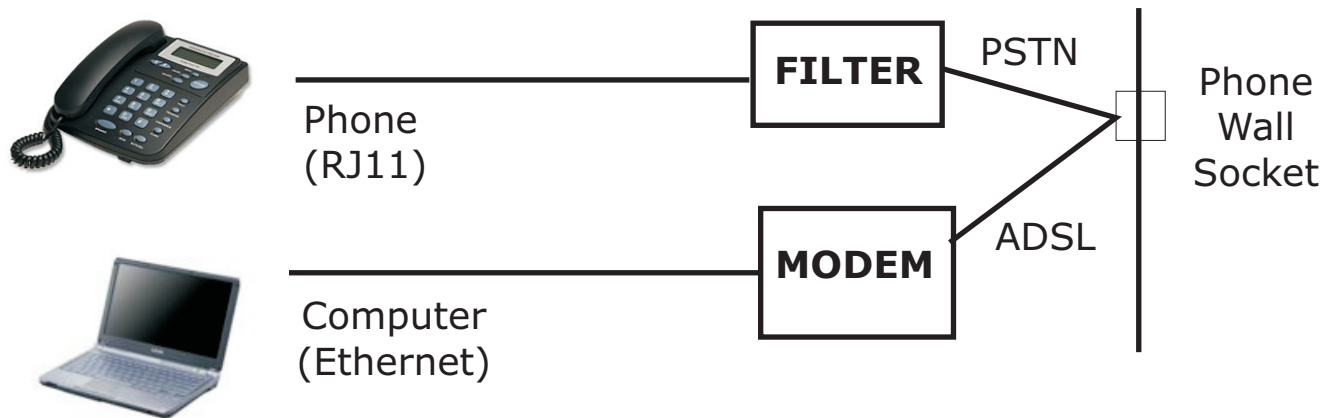
## Package Contents



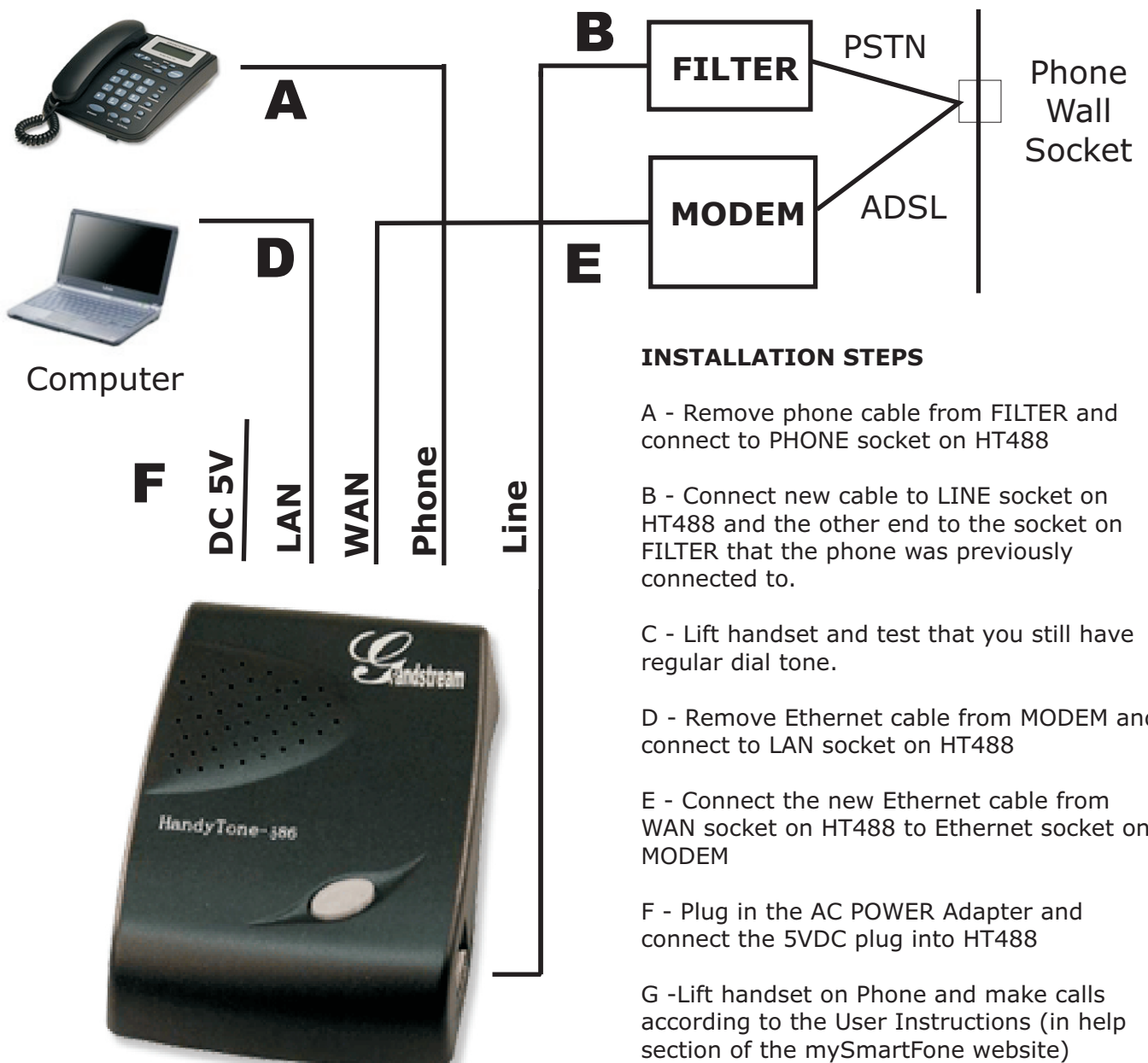
## Typical Use



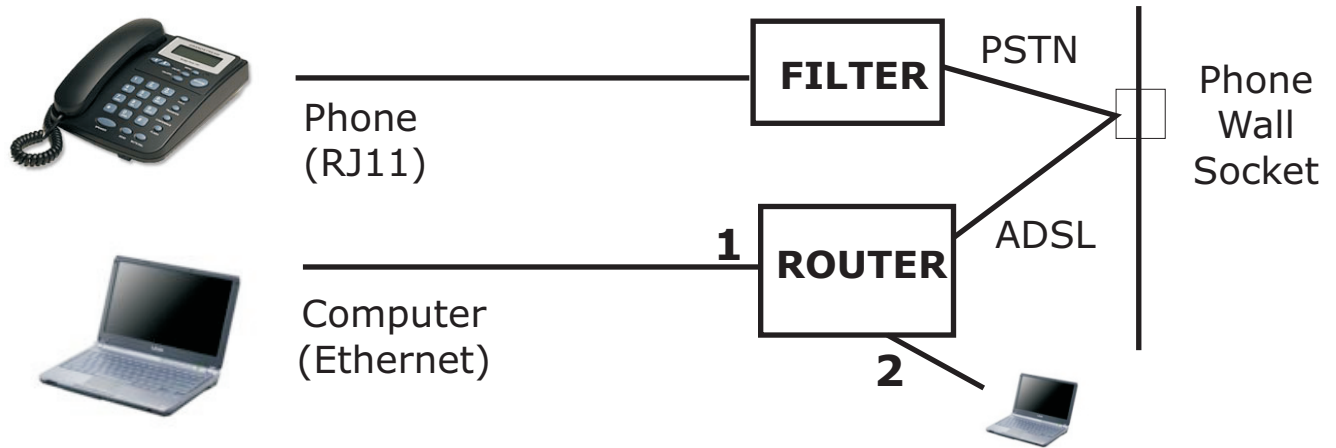
## Modem Only - Before Connecting the HT488



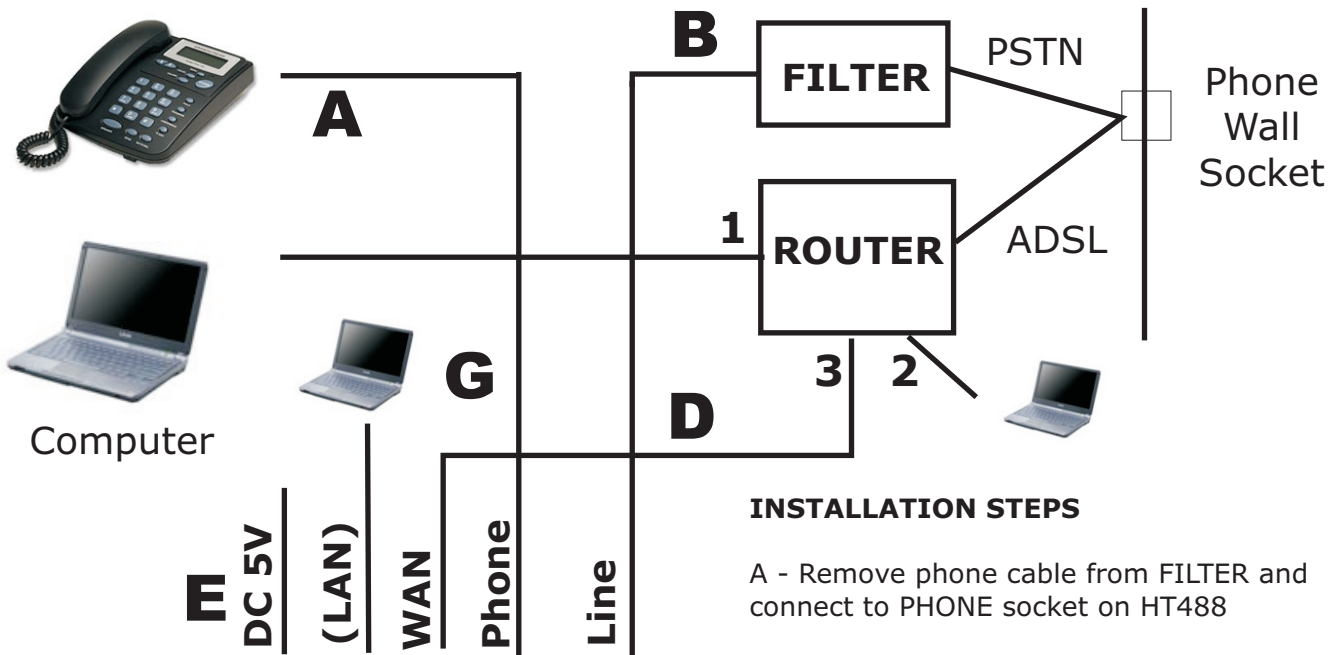
## Modem Only - After Connecting the HT488



## Router - Before Connecting the HT488



## Router - After Connecting the HT488



### INSTALLATION STEPS

A - Remove phone cable from FILTER and connect to PHONE socket on HT488

B - Connect new cable to LINE socket on HT488 and the other end to the socket on FILTER that the phone was previously connected to.

C - Lift handset and test that you still have regular dial tone.

D - Connect the new Ethernet cable from WAN socket on HT488 to a spare Ethernet socket on ROUTER

E - Plug in the AC POWER Adapter and connect the 5VDC plug into HT488

F - Lift handset on Phone and make calls according to the User Instructions (in help section of the mySmartFone website)

G - Optional PC connection